

**BALLASTS FOR
METAL HALIDE LAMPS
(BUILT-IN USE)**
35 - 2000W
Operation with Superimposed Ignitor
230 - 400V / 50 Hz

 Up to 100W: Terminal type 1 $\varnothing 1 - 2,5\text{mm}^2$

 From 150 to 1000W: Terminal type 3 $\varnothing 1,5 - 4\text{mm}^2$

 2000W: Terminal type 6 $\varnothing 4 - 10\text{mm}^2$
VDE 0712 EN61347-60923 tw 130

MODEL	TYPE	BALLAST							COMPENSATION $I = 0,95 \pm 0,05$	D'E	PHYSICAL CHARACTERISTICS					
		LAMP		V / Hz	Inductive I	Temp. Dt	Diagrams	Parallel mF $\pm 10\%$ 250V			DIMENSIONS				Weight (grs.)	Packing Units
		Wattage (W)	Current (A)								A (mm)	B (mm)	C (mm)	D (mm)		
HSI-SAPI 3/23	MS 35 11200	35	0,53	230/50	0,40	45	20	6	*	106,3	92,3	65	52,3	1075	8	
HSI-SAPI 5/23	SM 50 12201	50	0,76	230/50	0,37	60	20	9	*	106,3	92,3	65	52,3	1075	8	
HSI-SAPI 7/23	SM 70 13201	70	1	230/50	0,38	65	20	12	*	106,3	92,3	65	52,3	1375	8	
HSI-SAPI 10/23	SM 100 14200	100	1,20	230/50	0,42	70	20	13	*	106,3	92,3	65	52,3	1375	8	
HSI-SAPI 15/23	SM 150 21201	150	1,80	230/50	0,40	65	20	20	*	117	103	86,6	73	2500	4	
HIA-HSI 25/23	QM 250 21200	250	2,15	230/50	0,55	65	20-25	18	*	117	103	86,6	73	2500	4	
HSI-SAPI 25/23	SM 250 22206	250	3	230/50	0,40	70	20	32	*	127	113	86,6	73	3000	4	
HSI-SAPI 25/23-2	SM 250 22201	250	3	230/50	0,40	65	20	32	*	137	123	86,6	73	3375	4	
HIA-HSI 40/23	QM 400 22200	400	3,50	230/50	0,50	70	20-25	35	*	137	123	86,6	73	3375	4	
HSI-SAPI 40/23	SM 400 23201	400	4,2	230/50	0,48	75	20	50	*	167	153	86,6	73	4700	4	
HSI-SAPI 100/23	SM 1000 35221	1000	9,5	230/50	0,50	75	20	85	-	203	192,5	102	92	10800	2	
HSI 100/23		1000	8,25	230/50	0,55	70	20-25	65	-	203	192,5	102	92	10800	2	
HSI 200/23		2000	16,5	230/50	0,55	70	20	150	-	202	130	150	132	14000	2	
HSI 200/40		2000	8,8	400/50	0,60	70	15-20	40/450V	-	202	130	150	132	14000	2	
HSI 200/40		2000	10,3	400/50	0,55	70	15-20	60/450V	-	202	130	150	132	14000	2	

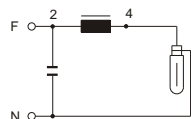
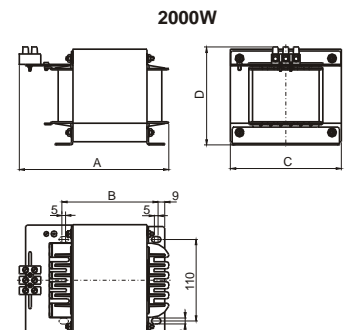
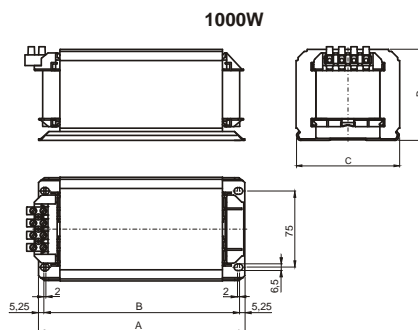
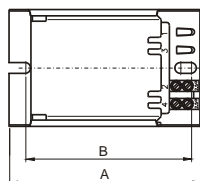
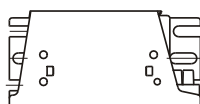
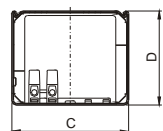
SLIM SECTION (SR)

 Terminal type 1 $\varnothing 1 - 2,5\text{mm}^2$

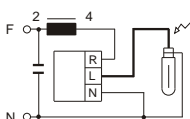
HSI-SAPI 15/23/SR	SM 150 15201	150	1,80	230/50	0,41	70	20	20	*	135,3	121,3	65	52,3	2050	8
-------------------	--------------	-----	------	--------	------	----	----	----	---	-------	-------	----	------	------	---

Other voltages and frequencies are available on request

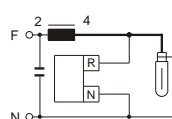
Available with thermal cut-out. Add "- P" to model



15



20



25



Check maximum distance from the ignitor to the lamp (Page 63)