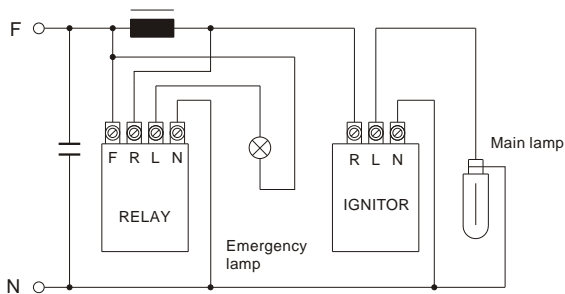
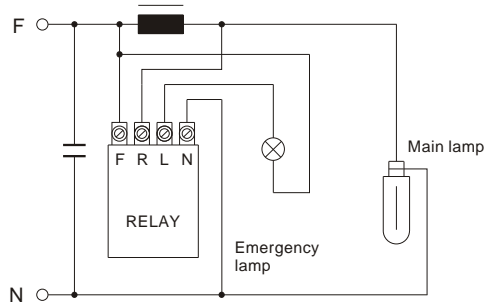
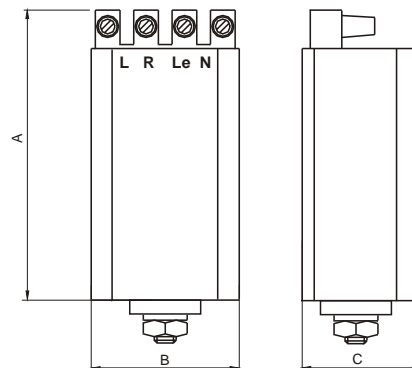


**EMERGENCY
ELECTRONIC RELAYS**
35 - 1000W
220 - 230V / 50 - 60 Hz

TYPE	ELECTRICAL CHARACTERISTICS			Diagrams	PHYSICAL CHARACTERISTICS				
	Main lamp wattage (W)	Emergency lamp wattage (W)	V / Hz		DIMENSIONS			Weight (grs.)	Packing Units
					A (mm)	B (mm)	C (mm)		
RE - 100	Hasta 1000W to 1000W	max. 1000W	220 - 240 50-60	27-28	100	46	37	200	25

- A security relay which avoids the total black-out of an installation, either due to an instantaneous power cut, or the end of the life or ageing of the lamp.
- The emergency lamp is on until the main lamp reaches its rating power
- MAIN LAMP: Mercury, sodium, or halogen.
- EMERGENCY LAMP: Incandescent, or halogen.


SUPERPOSED IGNITOR
27

WITHOUT IGNITOR
28
